



# JDS / JDSB Detonation Barrier / Heated Detonation Barrier

**JCT**  
Analysentechnik



Gas Sampling  
Probes

Heated Sample  
Lines

Sample Gas  
Coolers

Condensate  
Treatment

#### Accessories

Gas Conditioning  
Systems

Sample Gas  
Converters

#### APPLICATION

- For extractive gas analysis of explosive gas mixtures
- For emission and process monitoring
- For flame breakthrough prevention in case of instable detonations and deflagration of combustible gas or gas/steam mixtures classified by explosion category IIC
- For integration in gas analysis systems

#### BENEFITS

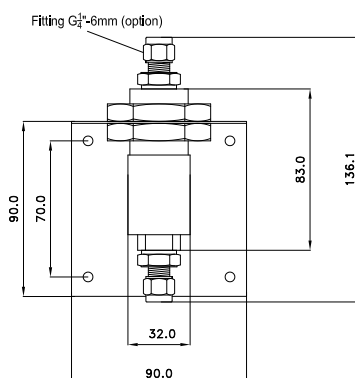
- Reliable and safe flame breakthrough prevention
- No change of sample gas
- Easy mounting and integration in gas analysis systems
- Very long lifetime
- Low maintenance effort
- Corrosion resistant

#### FEATURES

- ATEX-approval (Ex IIG IIC)
- Available in stainless steel or Hastelloy
- With incorporated ceramic sinter body (porosity 80  $\mu\text{m}$ )
- For wall or bulkhead mounting
- Compact robust construction
- Low dead volume
- Suitable for high pressures and temperatures
- Heated version up to 200°C inclusive controller available
- Variable connection technology

## TECHNICAL DATA

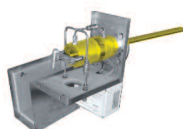
Model	JDS	JDSB
Description	detonation barrier	heated detonation barrier
<b>Operation</b>		
Operating temperature	max. 200°C	50° to 200°C adjustable at controller
Operating pressure	max. 3 bara	
<b>Construction</b>		
Dimensions over all	32 x 83,5 mm (Ø x H, without mounting bracket and fittings)	JDSB: 100 x 100 x 100 mm (W x H x D) controller: 100 x 100 x 100 mm (W x H x D)
Connections inlet / outlet	G 1/4" female	
Pipe connection	max. nominal diameter 12 mm	
Gas wetted materials	SS316Ti or Hastelloy, ceramic	
Mounting / position	wall mounting / any	
Ex-marking (without heating)	Ex IIG IIC	
Approvals / signs	EC certificate: IBExU 00 ATEX 2059X (SS316Ti) IBExU 00 ATEX 2058X (Hastelloy) / CE	
Special admission	H <sub>2</sub> /Cl <sub>2</sub> -mixtures up to 60°C only IBExU 00 ATEX 2058X Hastelloy	
<b>Electrics</b>		
Power supply	-	230 VAC 50 to 60 Hz
Power consumption	-	ca. 200 VA



## ORDER CODES

Order code	Description
K9506701	JDS detonation barrier SS316Ti, 2 x G1/4" female
	JDS detonation barrier Hastelloy 2 x G1/4" female
K9506702	Mounting angle for JDS, stainless steel
K9506703	JDSB heated detonation barrier, max. 200°C, inclusive controller and connection cable, completely wired
K1238525	Straight male connector, stainless steel, G1/4" - 6 mm

Gas Sampling **Probes**



Heated Sample **Lines**



Sample Gas **Coolers**



Gas Conditioning **Systems**



NOx **Converter**



and solutions for

