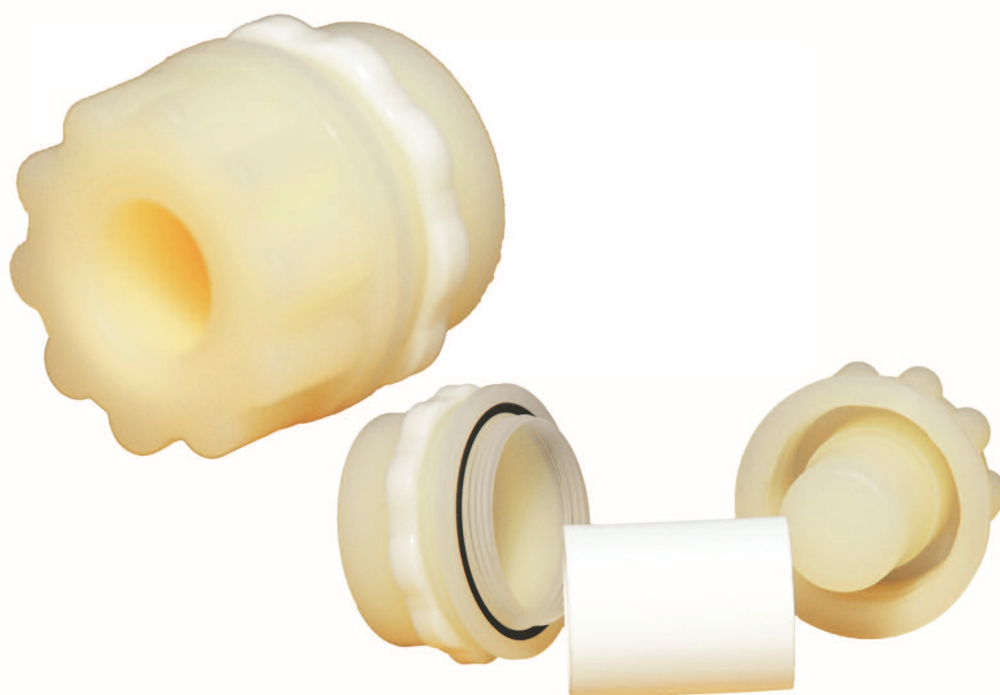




# JF-1 Sample Gas Fine Filter



Gas Sampling  
Probes

Heated Sample  
Lines

Sample Gas  
Coolers

Condensate  
Treatment

#### Accessories

Gas Conditioning  
Systems

Sample Gas  
Converters

#### APPLICATION

- For extractive gas analysis
- For emission and process monitoring
- For removal of dust and contamination from sample gas
- For protection of the analysers
- For integration in gas analysis systems

#### BENEFITS

- Reliable continuous dust filtration
- No change of sample gas
- Easy mounting and integration in gas analysis systems
- Long lifetime of the filter elements
- Low and easy maintenance effort
- Corrosion resistant
- Gas tight

#### FEATURES

- For front panel mounting
- Chemical resistant materials: PVDF and Viton®
- Filter elements out of glass fibre or PTFE with 2 µm porosity
- Filtration at the outer surface of the filter elements
- Large filter surface
- Compact and robust construction
- Low dead volume
- Low pressure drop
- Suitable for high ambient temperatures
- Variable connection technology

## TECHNICAL DATA

**Model**
**JF-1**
**Description**

fine dust filter for analyser protection

### Operation

**Flow**

max. 1800 NI/hr

**Ambient temperature**

max. 150°C

**Operating pressure max.**

4 bara

### Construction

**Dimensions over all (Ø x D)**

70 x 77 mm

**Weight**

210 g

**Connections inlet / Outlet**

G 1/8" i

**Gas wetted materials**

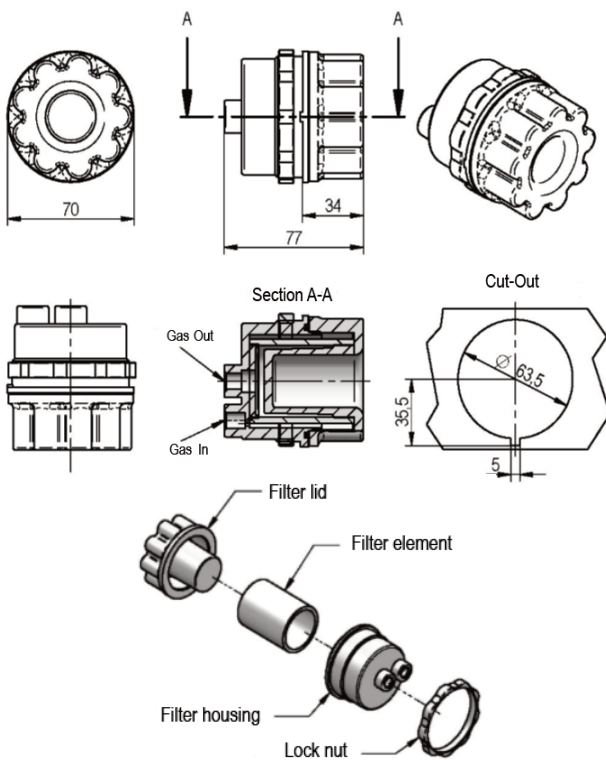
Filter body: PVDF. Sealing: Viton®. Filter element: glass fibre or PTFE

**Dead volume**

 < 40 cm<sup>3</sup>
**Filter porosity / Filter surface**

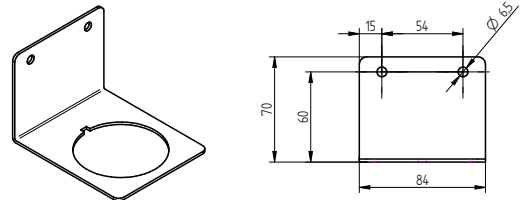
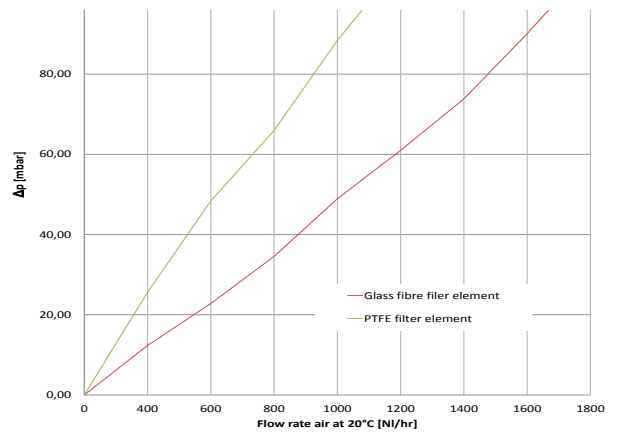
 2 µm / 80 cm<sup>2</sup>
**Approvals / Signs**

CE



Dimensions in mm

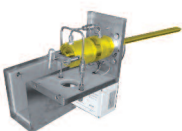
### Pressure drop with new filter element



## ORDER CODES

**Order code**
**Description**

17.00001	JF-1 filter housing out of PVDF with Viton® O-ring
17.00002	Glass fibre filter element 2 µm, PU = 5 pcs.
17.00003	PTFE filter element, 2 µm, PU = 3 pcs.
17.00011	Wall mounting bracket, SS304

**Gas Sampling Probes**

**Heated Sample Lines**

**Sample Gas Coolers**

**Gas Conditioning Systems**

**NOx Converter**

**and solutions for**
