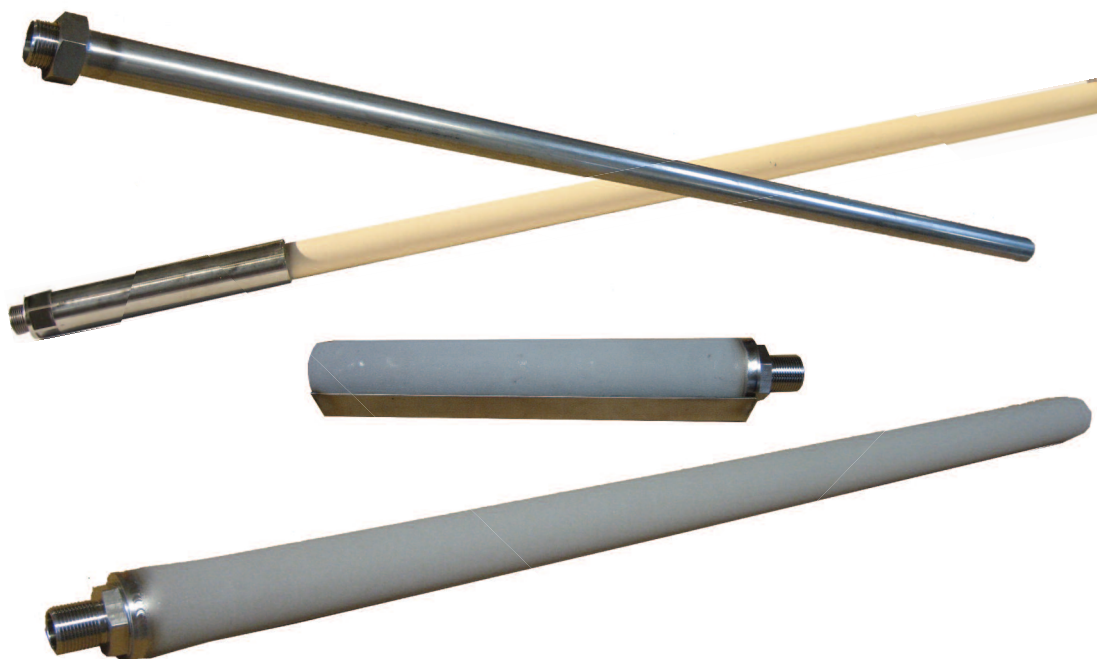




JCT
Analysentechnik

JER & JHD Sampling Pipes & Pre-Filters



Gas Sampling Probes

Heated Sample Lines

Sample Gas Coolers

Condensate Treatment

Accessories

Gas Conditioning Systems

Sample Gas Converters

APPLICATION

- Extractive gas analysis
- Emission and process monitoring
- Gas sampling at corrosive process gases
- Gas sampling at process temperatures up to 1800°C
- Gas sampling at high dust concentrations > 2 g/m³
- For adaption to all stationary **JCT** gas sampling probes

BENEFITS

- Easy mounting
- Optimal adaption of **JCT** gas sampling probes to the widest range of sampling conditions due to a huge variety of products
- Precisely definable gas sampling point due to huge variety of sampling and extension pipes
- Pre-filter with V-deflector applicable also at high flow velocities in the process without damage
- Simple exchange

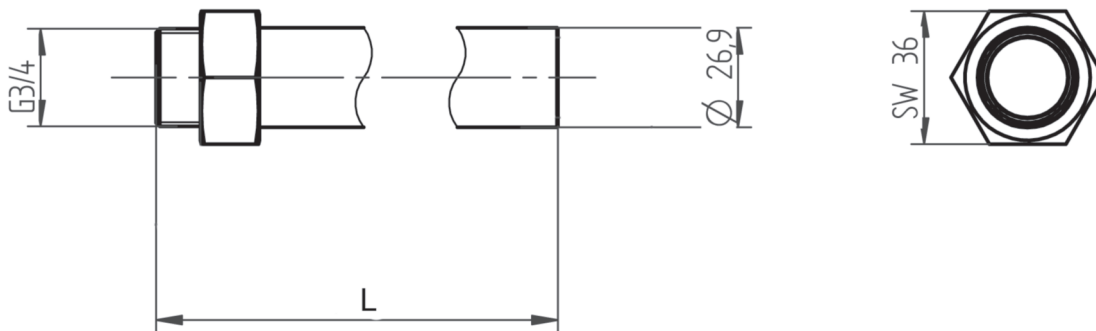
FEATURES

- Wide range of different sampling pipe and pre-filter materials
- Wide range of different sampling pipe and pre-filter lengths
- All sampling pipes and pre-filters with G 3/4" male thread
- Wide range of different extension tubes for pre-filter placement in the process
- Pre-filter also with V-deflector for protection against abrasion
- All sampling pipes and pre-filters with mounting hexagon

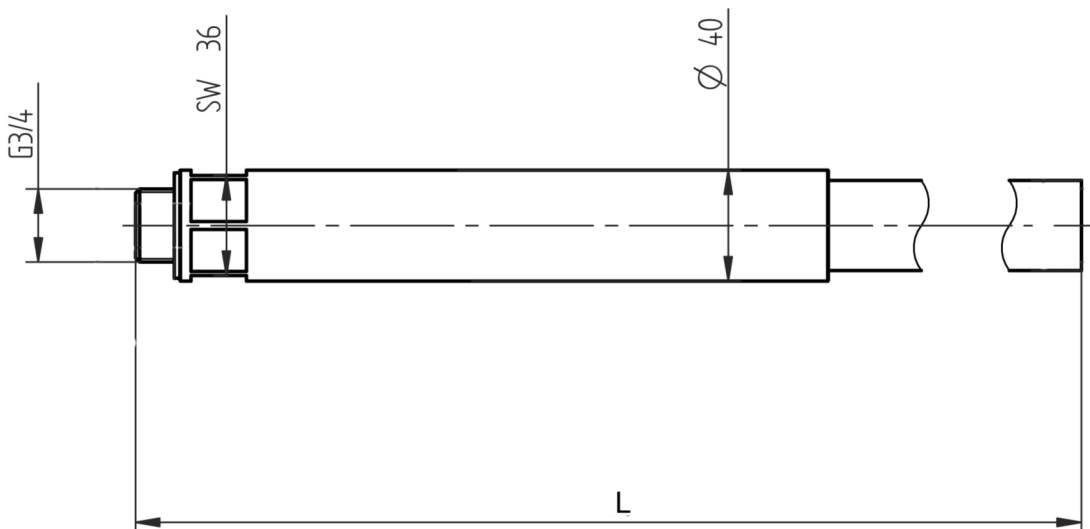
TECHNICAL DATA

Model	JER-T	JER-S	JER-H	JER-K	JER-C
Description	sampling pipes for gas sampling in the process				
Material	PTFE	SS316	SS314	Kanthal	aluminiumoxide (Al ₂ O ₃)
Operation					
Max. sample gas temperature	140°C	600°C	1100°C	1200°C	1800°C
Dust concentration	max. 2 g/m ³				
Operating pressure	max. 7 bara				
Mounting angle	5° to 15° incline (recommended)				
Construction					
Outer diameter	approx. 27 mm				approx. 24 (33) mm
Lengths „L“ [mm]	500 / 1000 / 1500	1000 / 1500 / 2000 / 2500 / 3000	1000 / 1500	1000 / 1500 / 2000	1000 / 1500
Connection thread	G 3/4" male				

Sampling tubes JER-T/S/H/K (PTFE/SS316/SS314/Kanthal)



Sampling tubes JER-C (aluminiumoxide)



Dimensions in mm

TECHNICAL DATA

Model	JHD-S	JHD-H	JHD-S..V
Description	In-situ pre-filters for gas sampling in the process		
Material	SS316L	Hastelloy	SS316L
Deflector	no	no	yes

Operation

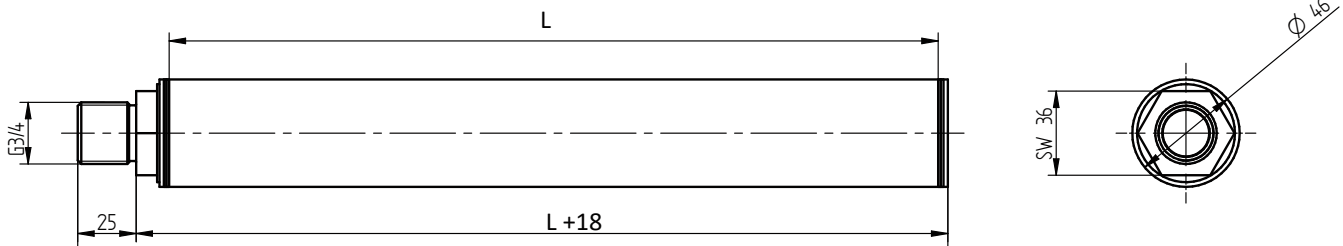
Max. temperature	550°C	750°C	600°C
Dust concentration	< 10 g/m ³ (330 mm length) / < 30 g/m ³ (500 mm length) / ≥ 30 g/m ³ (1000 mm length)		
Operating pressure	max. 7 bara		
Mounting angle	5°15° incline (recommended)		

Construction

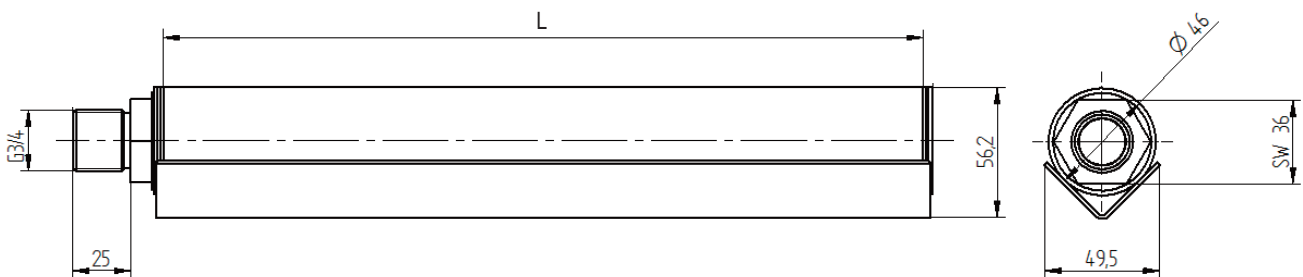
Outer diameter	approx. 50 mm		
Lengths „L“	330 / 500 / 1000 mm		
Porosity	3 μm (JHD-S05 and JHD-S05V also 10μm)		
Connection	G3/4" male		

Dimensions in mm

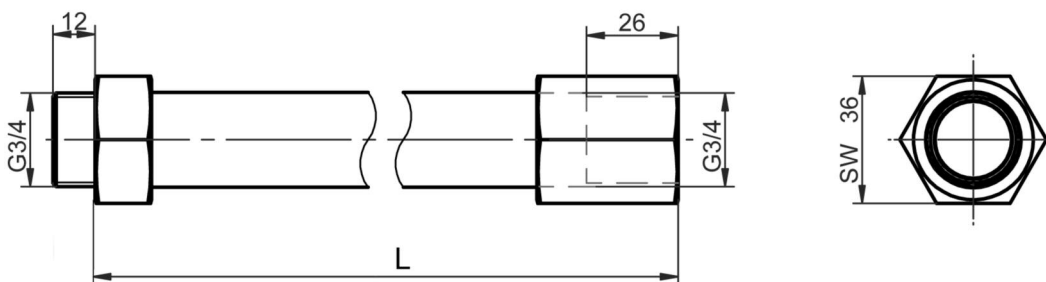
In-situ pre-filter JHD-S / JHD-H



In-situ pre-filter with V-deflector JHD-S...V



Extension tubes JHD-ET and JHD-ETK for pre-filters



ORDER CODES

Sampling tubes JER

Order code	Description
35.00060	JER-S10 sampling pipe SS316, length 1000 mm, G3/4" male thread
35.00061	JER-S15 sampling pipe SS316, length 1500 mm, G3/4" male thread
35.00062	JER-S20 sampling pipe SS316, length 2000 mm, G3/4" male thread
35.00063	JER-S25 sampling pipe SS316, length 2500 mm, G3/4" male thread
35.00065	JER-S30 sampling pipe SS316, length 3000 mm, G3/4" male thread
35.00050	JER-K10 sampling pipe Kanthal, length 1000 mm, G3/4" male thread
35.00051	JER-K15 sampling pipe Kanthal, length 1500 mm, G3/4" male thread
35.00052	JER-K20 sampling pipe Kanthal, length 2000 mm, G3/4" male thread
35.00082	JER-T05 sampling pipe PTFE, length 500 mm, G3/4" male thread
35.00080	JER-T10 sampling pipe PTFE, length 1000 mm, G3/4" male thread
35.00081	JER-T15 sampling pipe PTFE, length 1500 mm, G3/4" male thread
35.00070	JER-H10 sampling pipe SS314, length 1000 mm, G3/4" male thread
35.00071	JER-H15 sampling pipe SS314, length 1500 mm, G3/4" male thread
35.00040	JER-C10 sampling pipe aluminiumoxide (Al ₂ O ₃), length 1000 mm, G3/4" male thread, Ø a 24 mm
35.00041	JER-C15 sampling pipe aluminiumoxide (Al ₂ O ₃), length 1500 mm, G3/4" male thread
35.00042	JER-C10X sampling pipe aluminiumoxide (Al ₂ O ₃), length 1000 mm, G3/4" male thread, Ø a 33 mm

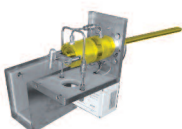
Pre-filters JHD

Order code	Description
35.00703	JHD-S03 in-situ pre-filter SS316L, length 330 mm, G3/4" male thread, 3 µm
35.00705	JHD-S05 in-situ pre-filter SS316L, length 500 mm, G3/4" male thread, 3 µm
35.00710	JHD-S10 in-situ pre-filter SS316L, length 1000 mm, G3/4" male thread, 3 µm
35.00790	JHD-S05 in-situ pre-filter SS316L, length 500 mm, G3/4" male thread, 10 µm
35.00793	JHD-H03 in-situ pre-filter Hastelloy, length 330 mm, G3/4" male thread, 3 µm
35.00792	JHD-H05 in-situ pre-filter Hastelloy, length 500 mm, G3/4" male thread, 3 µm
35.00791	JHD-H10 in-situ pre-filter Hastelloy, length 1000 mm, G3/4" male thread, 3 µm
35.00803	JHD-S03V in-situ pre-filter SS316L with V-deflector, length 330 mm, G3/4" male thread, 3 µm
35.00805	JHD-S05V in-situ pre-filter SS316L with V-deflector, length 500 mm, G3/4" male thread, 3 µm
35.00810	JHD-S10V in-situ pre-filter SS316L with V-deflector, length 1000 mm, G3/4" male thread, 3 µm
35.00890	JHD-S05V in-situ pre-filter SS316L with V-deflector, length 500 mm, G3/4" male thread, 10 µm

Extension tubes JHD-ET and JHD-ETK for pre-filters JHD

Order code	Description
35.00903	JHD-ET03 extension pipe SS316, length 300 mm, G3/4"o - G3/4"i, 3 µm
35.00910	JHD-ET10 extension pipe SS316, length 1000 mm, G3/4"o - G3/4"i, 3 µm
35.00920	JHD-ET20 extension pipe SS316, length 2000 mm, G3/4"o - G3/4"i, 3 µm
35.00925	JHD-ET25 extension pipe SS316, length 2500 mm, G3/4"o - G3/4"i, 3 µm
35.00926	JHD-ETK25 extension tube Kanthal, length 2500 mm, G3/4"o - G3/4"i, 3 µm

Gas Sampling **Probes**



Heated Sample **Lines**



Sample Gas **Coolers**



Gas Conditioning **Systems**



NOx **Converter**



and solutions for

